



MADE IN ENGLAND

AeroCatch® UPDATE

AeroCatch® Impact Cage

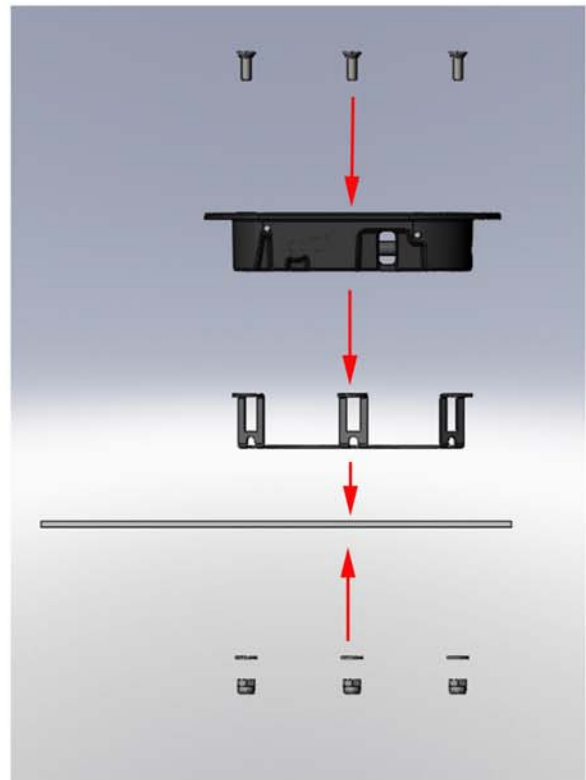
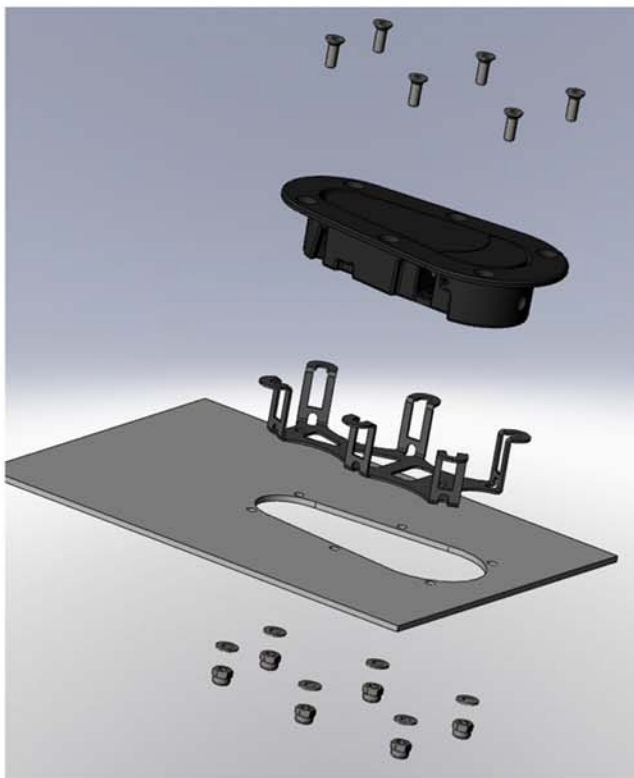
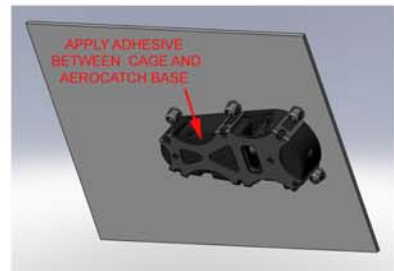
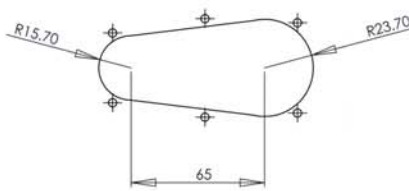
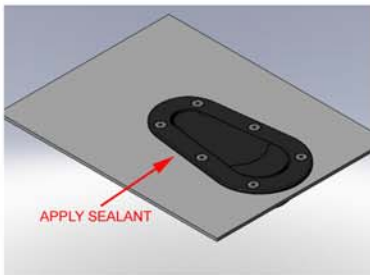
Part No 120-9000

To fit the Impact Cage, first modify the hole in the panel to the dimensions below.

Then fit the Cage to the AeroCatch

(apply adhesive between the AeroCatch base and the cage)
before installing in to the panel.

Once fitted apply a small amount of sealant around the flange
cleaning away any excess.



ENGINEERED SOLUTIONS FROM

SE SPECIALTY
FC FASTENERS &
COMPONENTS

Specialty Fasteners & Components Ltd
Seymour Wharf, Steamer Quay Road,
Totnes, Devon TQ9 5AL
Tel: 01803 868677
Email: sales@specialty-fasteners.co.uk



SEE MORE
SOLUTIONS TO
YOUR FASTENING
PROBLEMS AT

www.specialty-fasteners.co.uk